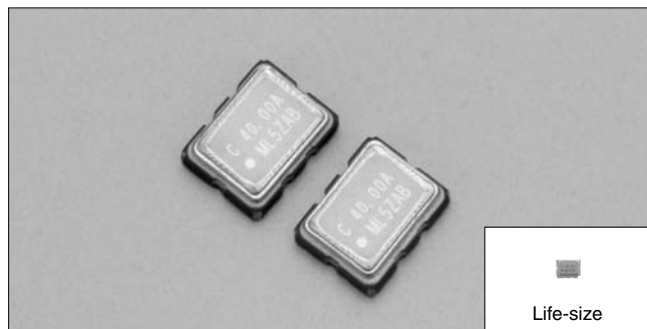


CSX-325M SERIES

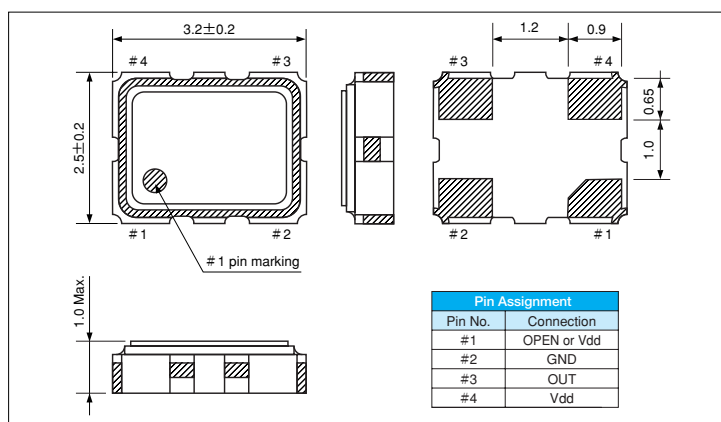
2000pcs/reel



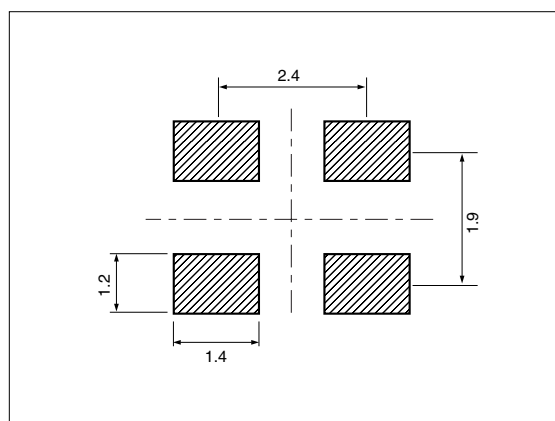
FEATURES

- Wide range high frequency stability.
- High-density SMD type.
- Ultra-light weight and ultraminiature size.
- Low current consumption.
- Suitable for high stability applications such as communication devices and wireless LAN.

DIMENSION [mm]



SOLDER PAD LAYOUT [mm]



STANDARD SPECIFICATIONS

* Model is determined by the supply voltage and the frequency stability.

Item	Model	CSX-325M (@) (*)		
Frequency Range		12.500MHz~54.000MHz		
Supply Voltag	(@)	M : Vdd=1.8V±0.1V	H : Vdd=2.5V±0.1V	J : Vdd=3.3V±0.1V
Frequency Stability	(*)	G : ±10ppm, J : ±20ppm, D : ±30ppm, M : ±20ppm(-40°C~+85°C), N : ±30ppm(-40°C~+85°C)		
Operating Temperature Range		-20°C~+70°C (-40°C~+85°C)		
Storage Temperature Range		-55°C~+125°C		
Current consumption	(No load)	5mA Max. (<30.0MHz) / 7mA Max. (<54.0MHz)		
Duty	CMOS level (1/2 Vdd)	40~60%		
Output Voltage	V _{OH}	0.8Vdd Min.		
	V _{OL}	0.2Vdd Max.		
Output Load		CMOS 15pF Max.		
Rise and Fall Time	0.2Vdd⇔0.8Vdd	10 nsec Max.		
Start-up time		10 msec Max.		
Aging (first year)		±2ppm / year Max.		